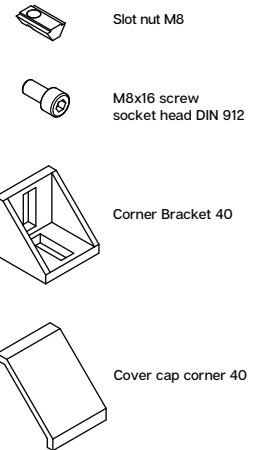
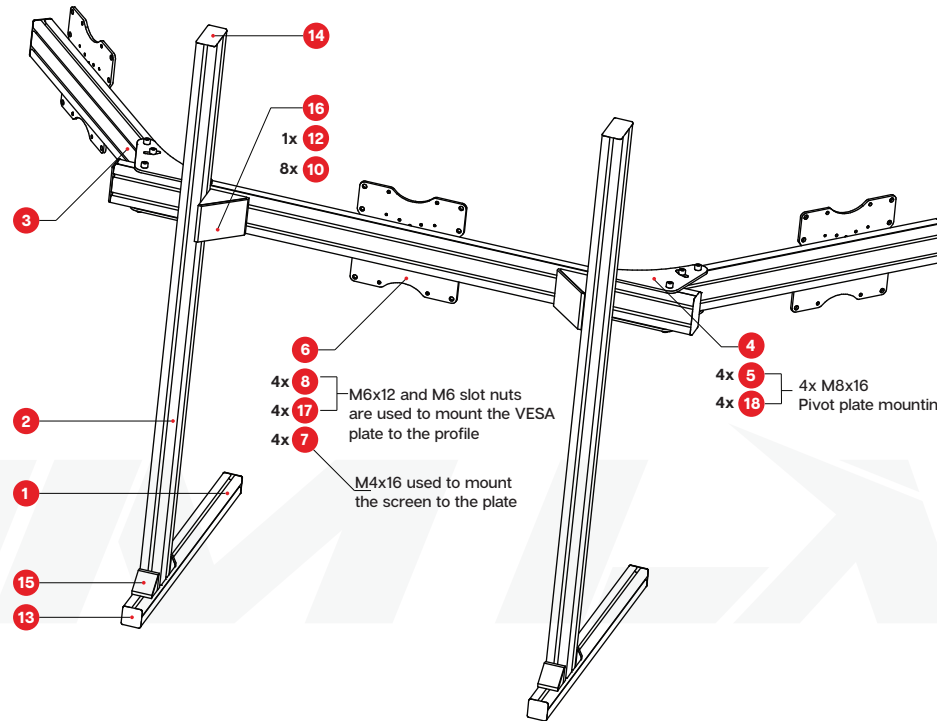


Profile kit

#	Image	Profile type	Length	Note	Qty
1		40x40L	580mm		2
2		40x80L	1200mm		3
3		40x80L	580mm		2

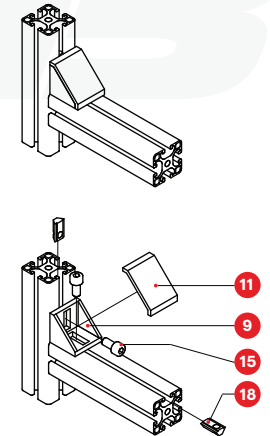
Hardware kit

#	Image	Name	Note	QTY
4		Pivot plate	Alu 5mm, black	4
5		Cilindrical socket head M8x16	black, steel	16
6		VESA 200x200 mm		3
7		Philips head screw M4x16		12
8		Countersunk M6x12	black, steel	12
9		Socket head bolt M8x16	galvanised	8
10		Socket head bolt M8x20	galvanised	16
11		Cover cap for connector bracket 40x40		4
12		Cover cap for connector bracket 80x80		2
13		Cover Cap 40 x 40		4
14		Cover Cap 40 x 80		8
15		Corner bracket 40x40		4
16		Corner bracket 80x80		2
17		Slot nut M6		12
18		Slot nut M8		40

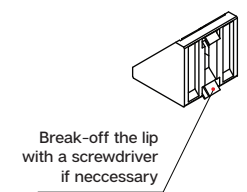


Connector bracket parts

Example



Connector bracket assembly



Break-off the lip with a screwdriver if necessary